

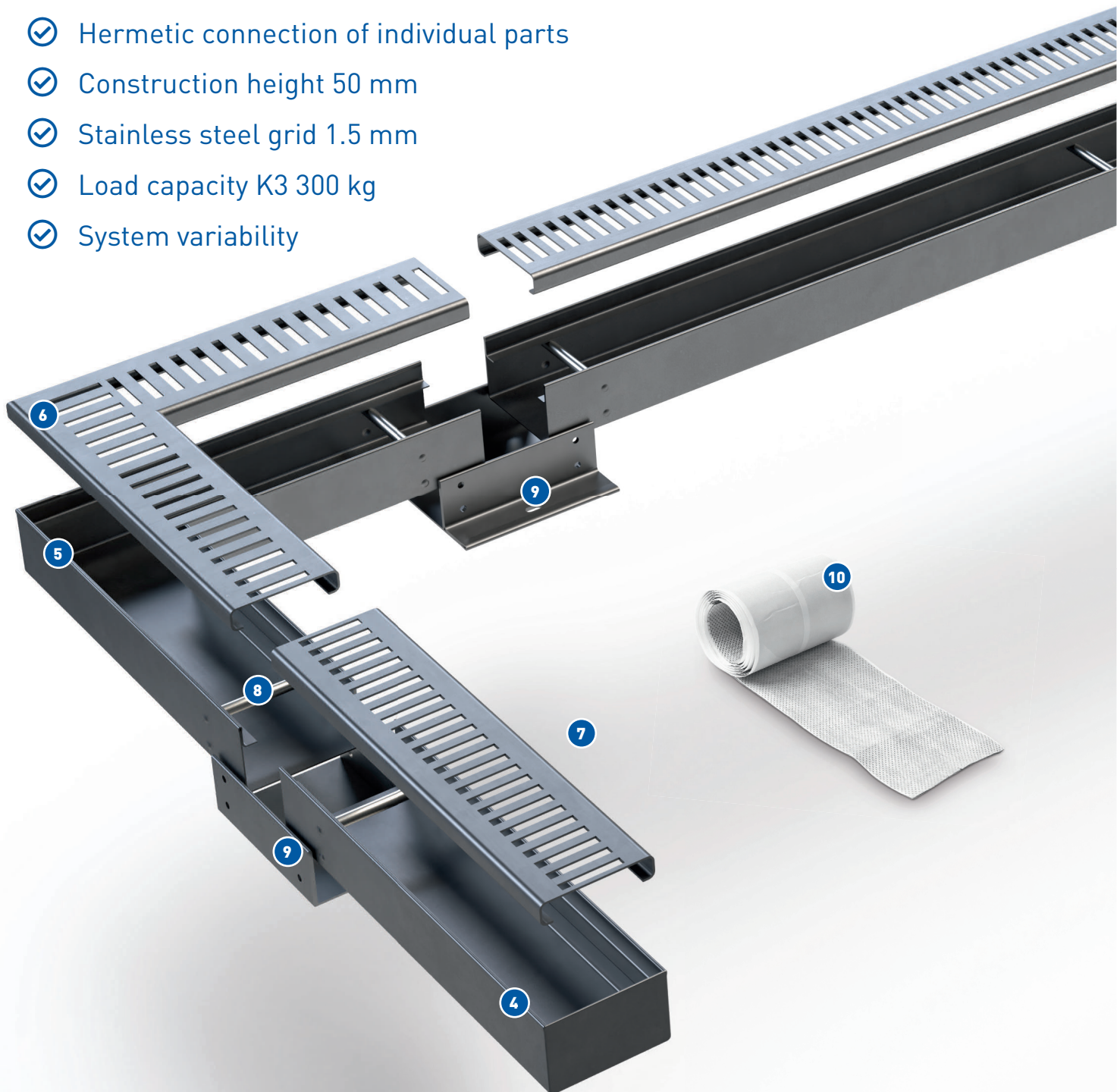


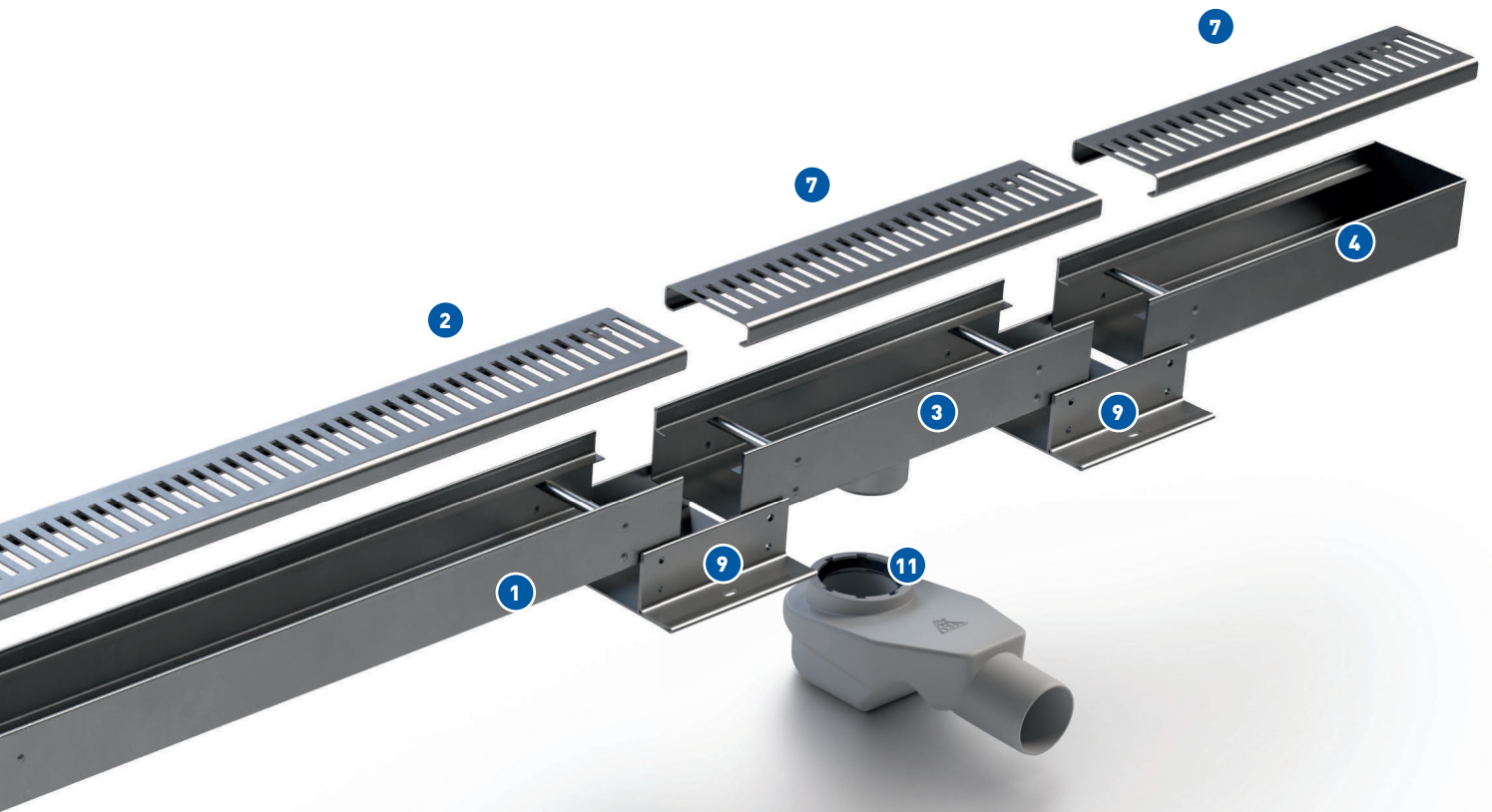
NEW!

STAINLESS STEEL DRAINAGE CHANNEL COVE

STAINLESS STEEL DRAINAGE CHANNEL COVE

- ✔ Protects indoor areas from moisture where the threshold is lowered
- ✔ Perfect protection of your house from unwanted water seepage
- ✔ Hermetic connection of individual parts
- ✔ Construction height 50 mm
- ✔ Stainless steel grid 1.5 mm
- ✔ Load capacity K3 300 kg
- ✔ System variability





It safely ensures fast removal of extreme rainfall in sensitive areas such as door structures, terraces and balconies.

It is made of stainless steel DIN 1.4301 AISI 304 and can be used for architecturally demanding construction projects. Suitable for barrier-free constructions.

Possibility of connection with side swivel siphon 360 ° Aquarius D50 or bottom connection D110 or swivel height adjustable siphon D50.

- 1** Stainless steel drainage without grid (1000 x 80 x 50 mm)
- 2** Stainless steel grid (1000 mm)
- 3** Stainless steel drainage with outlet D50 (300 x 80 x 50 mm)
- 4** Stainless steel drainage end piece right / left (300 x 80 x 50 mm)
- 5** Stainless steel drainage corner without grid (300/300 x 80 x 50 mm)
- 6** Stainless steel corner grid (300/300 mm)
- 7** Stainless steel grid (300 mm)
- 8** Stainless steel inner strut (8 x 80 mm)
- 9** Stainless steel connector
- 10** Self-adhesive waterproofing foil
- 11** Swivel siphon D50

	PRODUCT	ORDER NR.
	Stainless steel drainage channel 1000 x 80 x 50 mm (3 spacers)	CH N 1006
	Stainless steel grid 1000 mm	3102
	Stainless steel drainage with outlet D50 300 x 80 x 50 mm (2 spacers)	CH N 1007
	Stainless steel drainage end piece right/left 300 x 80 x 50 mm (1 spacer)	CH N 1008
	Stainless steel grid 300 mm	3107
	Stainless steel drainage corner 300/300 x 80 x 50 mm (2 spacers)	CH N 1009
	Stainless steel grid corner 300/300 mm	3106
	Stainless steel connector with insulation	CH N 1004
	Stainless steel connector to the wall with insulation	CH N 1005
	Swivel siphon D50	3002
	Swivel siphon D50, height adjustable	804/4
	Spacer 8 x 80 mm	3108