

 CHUDEJ®

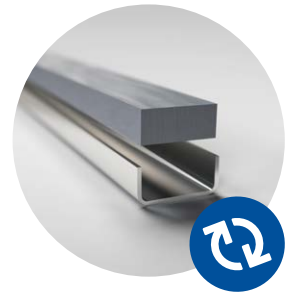
All for drains...

NEW

*Linear floor drains
Slim Line*

Practical and elegant

The unobtrusive slim line offers a safe and elegant shower solution. The appearance of the bathroom thus gets a whole new dimension of modern design. The body of the drain is equipped with a rotating anti-odor siphon D50 with flow rate **45 l/min**. The frame and grid are made of high quality stainless steel AISI 304. Slim line is an unrivaled product with a thin and elegant body offered in dimensions from 500 to 1200 mm.

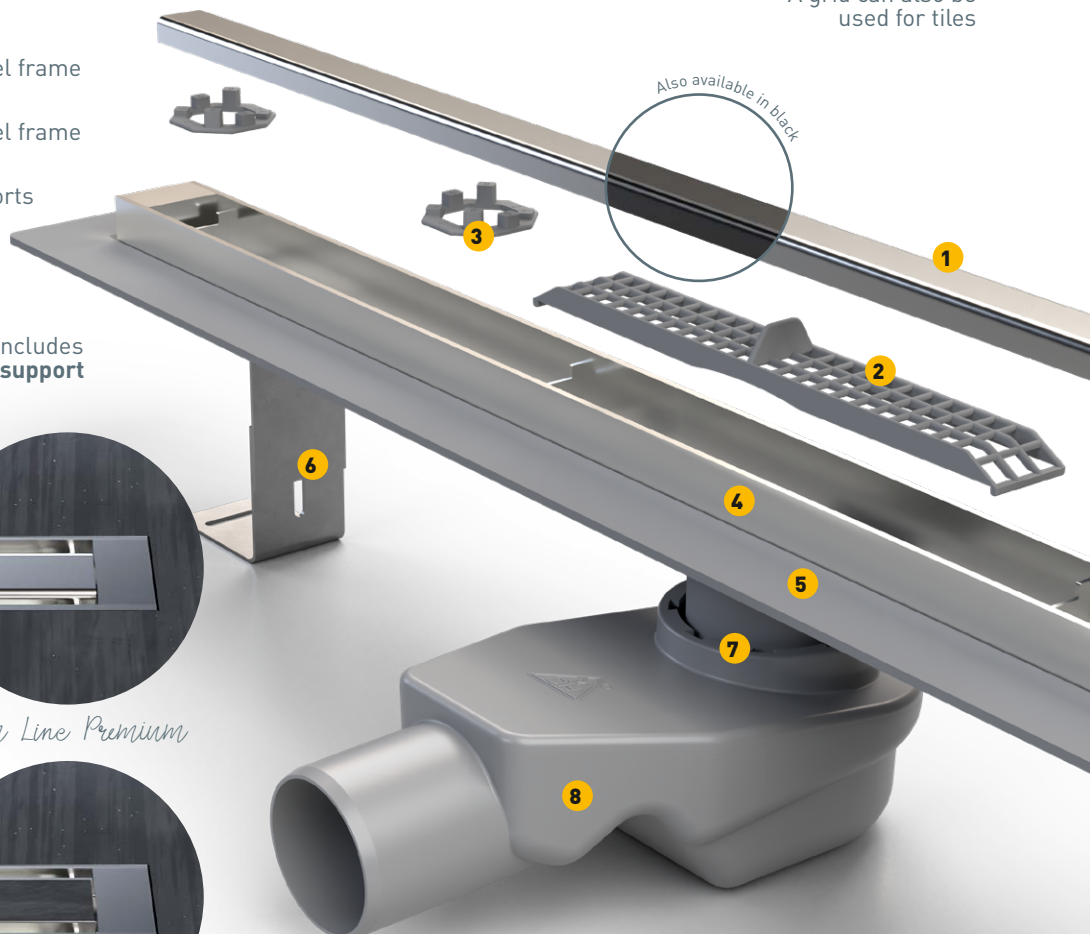


A grid can also be used for tiles

- 1 Stainless steel grid
- 2 Strainer to catch dirt
- 3 Height-adjustable stainless steel frame support from 0-8 mm
- 4 Height-adjustable stainless steel frame
- 5 Drain body
- 6 Stainless steel adjustable supports
- 7 Gasket HT D50
- 8 Swivel side siphon D50



✓ The package also includes polystyrene drain support



Also available in black



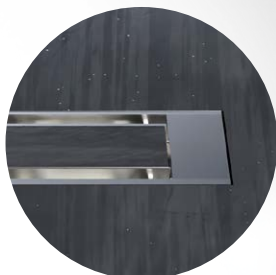
Slim Line



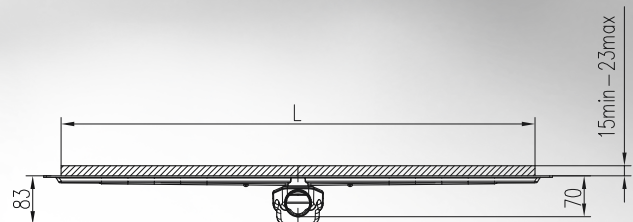
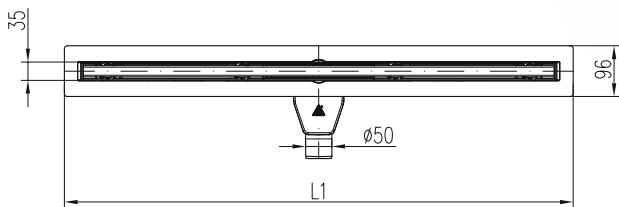
Slim Line Premium



Slim Line Floor



Slim Line Floor Premium



DRAIN DIMENSIONS

L [mm]	500	600	700	800	900	1000	1100	1200
L1 [mm]	565	665	765	865	965	1065	1165	1265
Weight [kg/pcs]	1,36	1,53	1,73	1,91	2,09	2,28	2,46	2,65
Slim Line	CH 500 SL	CH 600 SL	CH 700 SL	CH 800 SL	CH 900 SL	CH 1000 SL	CH 1100 SL	CH 1200 SL
Slim Line Premium	CH 500 SLP	CH 600 SLP	CH 700 SLP	CH 800 SLP	CH 900 SLP	CH 1000 SLP	CH 1100 SLP	CH 1200 SLP
Slim Line Black	CH 500 SLC	CH 600 SLC	CH 700 SLC	CH 800 SLC	CH 900 SLC	CH 1000 SLC	CH 1100 SLC	CH 1200 SLC
Slim Line Premium Black	CH 500 SLPC	CH 600 SLPC	CH 700 SLPC	CH 800 SLPC	CH 900 SLPC	CH 1000 SLPC	CH 1100 SLPC	CH 1200 SLPC