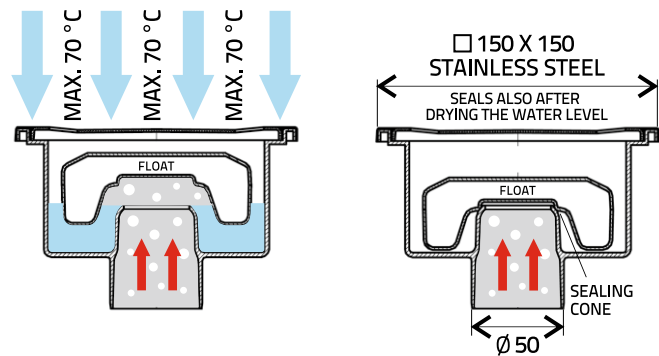
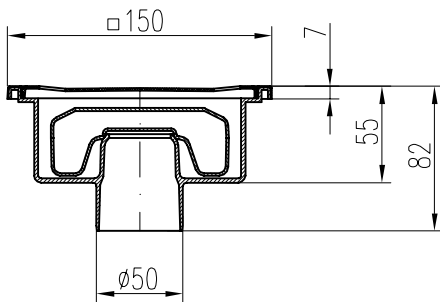




### BOTTOM FLOOR DRAIN DN 50/82 – STAINLESS STEEL – NEPTUNE

Floor drain with a float, for interior installations.  
Made with all-stainless steel surface. If the water filled anti-odour protection drops, the NEPTUNE float closes the outlet, protecting against odour spreading from the sewage line.  
Made of PP, ABS and stainless steel DIN 1.4301.  
Loading capacity K3 – 300 kg, resistance to 70 °C, standard EN 1253 – 1.

Part No.	Name	Packaging/Pallet [pcs]	Flow rate [l / min]	Weight [kg / pcs]
320 X N	DN 50/82 XN	12 / 480	32	0,38



### SIDE FLOOR DRAIN DN 50/95 – STAINLESS STEEL – NEPTUNE

Floor drain with a float, for interior installations.  
Made with all-stainless steel surface. If the water filled anti-odour protection drops, the NEPTUNE float closes the outlet, protecting against odour spreading from the sewage line.  
Made of PP, ABS and stainless steel DIN 1.4301.  
Loading capacity K3 – 300 kg, resistance to 70 °C, standard EN 1253 – 1.

Part No.	Name	Packaging/Pallet [pcs]	Flow rate [l / min]	Weight [kg / pcs]
326 X N	DN 50/95 X N	12 / 576	32	0,43

