

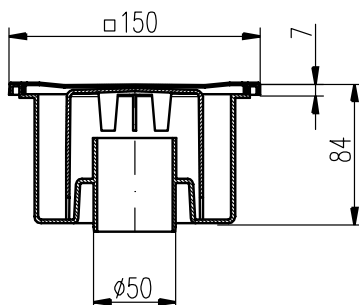
## BOTTOM FLOOR DRAIN DN 50/55 – PLASTIC/STAINLESS STEEL

Floor drain with water filled anti-odour protection, for interior installations. Made in two options, with a plastic grid and with all-stainless steel surface. Made of polypropylene and stainless steel DIN 1.4301. Loading capacity K3 – 300 kg, resistance to 90 °C, standard EN 1253 – 1.

Part No.	Name	Packaging/Pallet [pcs]	Flow rate [l / min]	Weight [kg / pcs]
320 P	DN 50/55 P	14 / 924	55	0,22
320 N	DN 50/55 N	14 / 924	50	0,39



stainless steel grid 1.5 mm



## BOTTOM FLOOR DRAIN DN 50/84 – PLASTIC/STAINLESS STEEL

Floor drain with water filled anti-odour protection, for interior installations. Made in two options, with a plastic grid and with all-stainless steel surface. Made of polypropylene and stainless steel DIN 1.4301. Loading capacity K3 – 300 kg, resistance to 90 °C, standard EN 1253 – 1.

Part No.	Name	Packaging/Pallet [pcs]	Flow rate [l / min]	Weight [kg / pcs]
321 P	DN 50/84 P	10 / 480	58	0,30
321 N	DN 50/84 N	10 / 480	53	0,47



stainless steel grid 1.5 mm