



381 A / 381 H (water level) / 381 G (dry flap)



381 C



381 E / 381 I (water level)



381 B



381 D

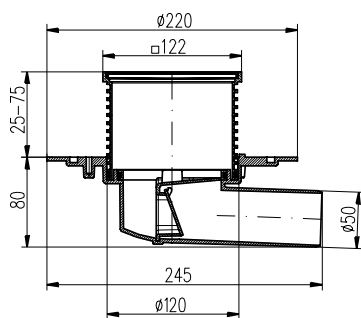


381 F

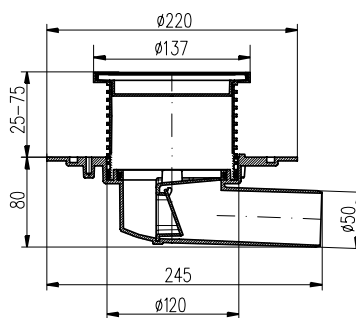
SIDE FLOOR DRAIN, UNIVERSAL, DN 50 – STAINLESS STEEL SIDE FLOOR DRAIN, UNIVERSAL, DN 50 – STAINLESS STEEL WITH A FLANGE

The floor drain is designed for interior and exterior installations. The set includes a dry flap and a water anti-odour level system. Options 381 B, 381 D and 381 F include a stainless steel flange with 5 screws for easy installation of hydro-insulating materials. Made of UV stabilized polypropylene and stainless steel DIN 1.4301. Loading capacity K3 – 300 kg, resistance to 90 °C, standard EN 1253 – 1.

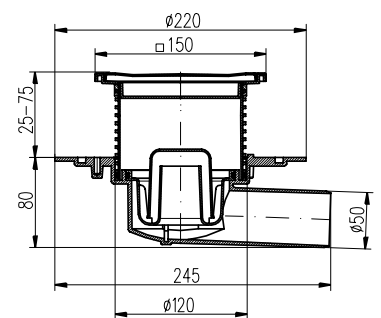
Part No.	Name	Packaging/Pallet [pcs]	Flow rate [l / min]	Flange	Weight [kg / pcs]
381 A	PVBU 50	8 / 160	50 (water level) 80 (dry flap)	no	0,90
381 B	PVBU 50 PR	8 / 160	50 (water level) 80 (dry flap)	yes	1,13
381 C	PVBU 50-3	8 / 160	50 (water level) 80 (dry flap)	no	0,85
381 D	PVBU 50 PR3	8 / 160	50 (water level) 80 (dry flap)	yes	1,06
381 E	PVBU 50-4	8 / 160	50 (water level) 80 (dry flap)	no	0,94
381 F	PVBU 50 PR4	8 / 160	50 (water level) 80 (dry flap)	yes	1,17
381 G	PVBU 50 ST	8 / 160	80 (dry flap)	no	0,85



381 A / 381 B



381 C / 381 D



381 E / 381 F