



428 S ■ 428 V

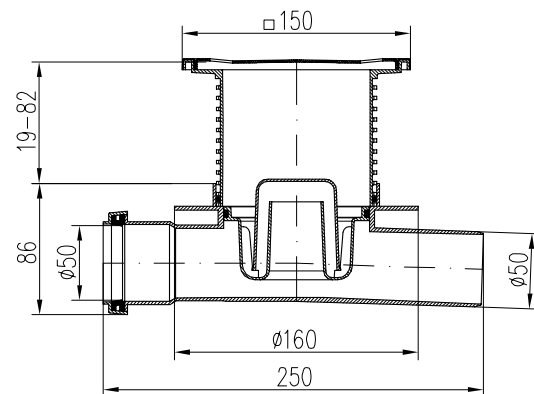
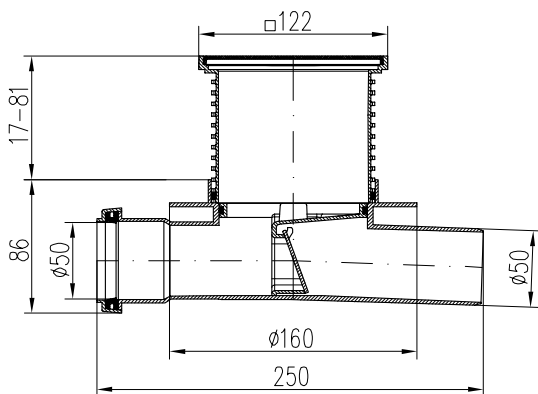


448 S ■ 448 V

MULTI - INLET FLOOR DRAIN DN 50, STAINLESS STEEL, WITH A COLLAR

Multi - inlet floor drain is made with water filled anti-odour protection or dry flap, for interior installations. The collar may be used for connecting to water-proofing membrane or leveling squeegee. Made of polypropylene and stainless steel DIN 1.4301. Loading capacity K3 – 300 kg, resistance to 90 °C, standard EN 1253 – 1.

Part No.	Name	Type of grid	Packaging/Pallet [pcs]	Flow rate [l / min]	Weight [kg / pcs]
428 S	PVP50 NS-L2	angular	6 / 144	60	0,61
428 V	PVP50 NV-L2	angular	6 / 144	50	0,61
448 S	PVP50 NS-L4	all-stainless steel	6 / 144	60	0,70
448 V	PVP50 NV-L4	all-stainless steel	6 / 144	50	0,70



can be ordered with water-proofing membrane 391/1