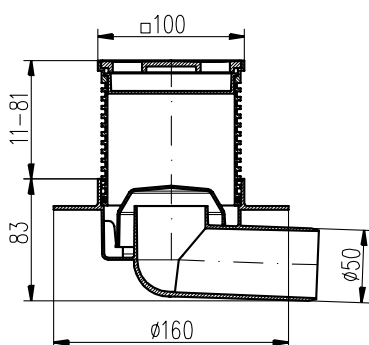




SIDE FLOOR DRAIN DN 50 WITH A COLLAR – PLASTIC/STAINLESS STEEL

Floor drain with water filled anti-odour protection, for interior installations. Made in two options, with a plastic and a stainless steel grid. The collar may be used for connecting to water-proofing membrane or leveling squeegee. Made of polypropylene and stainless steel DIN 1.4301. Loading capacity K3 – 300 kg, resistance to 90 °C, standard EN 1253 – 1.

Part No.	Name	Packaging/Pallet [pcs]	Flow rate [l / min]	Weight [kg / pcs]
410 L	PVB50P-L1	8 / 192	50	0,39
411 L	PVB50N-L1	8 / 192	53	0,45



stainless steel grid 1.5 mm



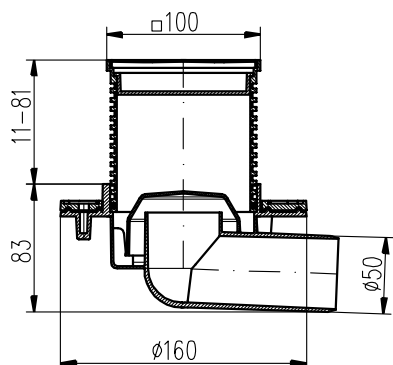
can be ordered with water-proofing membrane 391/2



SIDE FLOOR DRAIN DN 50 WITH A FLANGE – PLASTIC/STAINLESS STEEL

Floor drain with water filled anti-odour protection, for interior installations. Made in two options, with a plastic and a stainless steel grid. The flange seals the water-proofing membrane to the floor drain. Made of polypropylene and stainless steel DIN 1.4301. Loading capacity K3 – 300 kg, resistance to 90 °C, standard EN 1253 – 1.

Part No.	Name	Packaging/Pallet [pcs]	Flow rate [l / min]	Weight [kg / pcs]
410	PVB50P-PR1	8 / 192	50	0,50
411	PVB50N-PR1	8 / 192	53	0,55



stainless steel grid 1.5 mm



can be ordered with water-proofing membrane 391/2