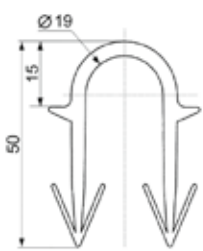


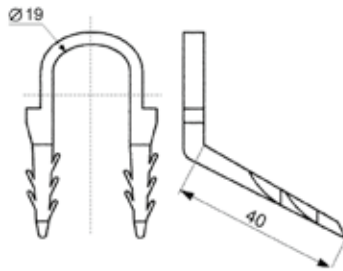
Part No.	Name	Pieces per bag	Pieces per package	Packaging weight [kg]
----------	------	----------------	--------------------	-----------------------

MCH FLOOR BRACKETS FOR D 14-22

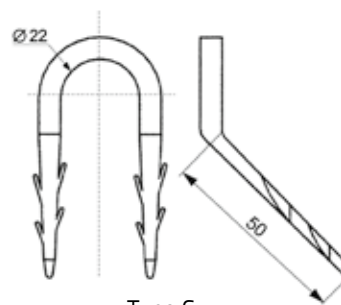
A 303	A	50	2500	7,00
B 304	B	50	2000	5,30
C 312	C	50	1000	4,40
D 305	D	200	2000	4,68



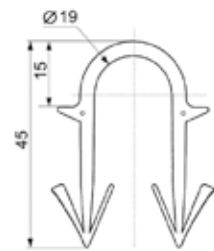
Type A



Type B



Type C



Type D

Floor brackets are used to fix under-floor heating pipes on to thermal insulation. The types A, B and C are applied manually. For type D, you need to use a stapler.

Part No.	Name	Pieces per bag	Pieces per package	Packaging weight [kg]
----------	------	----------------	--------------------	-----------------------

STAPLER (TACKER) – FLOOR STAPLE APPLICATOR DESIGNED FOR TYPE D

TAC 1	Tacker	1	1	2,00
-------	--------	---	---	------

INSULATION STAPLE

301 S	light	100	10000	3,10
301 T	dark	100	10000	3,10



FLOOR BRACKETS
Type A / Type B / Type C / Type D



INSULATION STAPLE
dark / light



TACKER
applicator designed
for type D