



328z



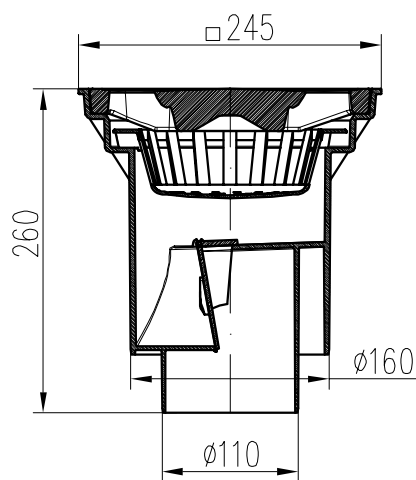
328 P

BOTTOM STREET DRAIN D 160 WITH A CAST-IRON / PLASTIC GRID

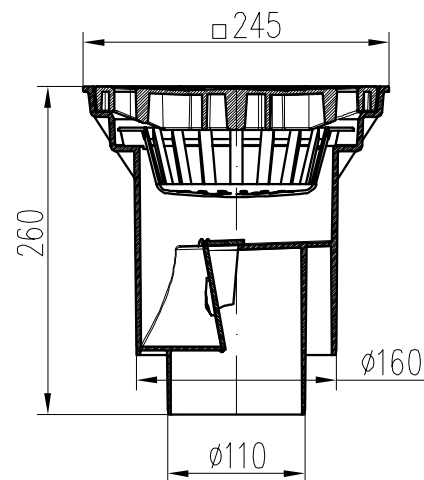
Bottom street drain D 160 are made in four different models all with dry flap. Product **328** with a robus cast iron grid, **328z** with a robus cast iron grid and with two stainless steel screws A2, 6,3 x 38 mm to lock the grid. Product **328 P** with plastic grid and **328 Pz** with plastic grid and with two stainless steel screws A2, 6,3 x 38 mm to lock the grid.

These products are designed for exterior installations for pipeline D 110 or D 160mm. They are made of UV-stabilized polypropylene, grid is from cast iron DIN1691, loading capacity compliant to EN124, B 125 (12.500kg) and plastic grid if made of PP compliant to EN 1253-2-L 15 (1.500kg) with thermal resistance 90°C.

Part No.	Name	Type of grid	Packaging/Pallet [pcs]	Flow rate [l / min]	Weight [kg / pcs]
328	KVS 160 S-Li	cast-iron	1 / 48	355	7,00
328z	KVS 160 S-Li+z	cast-iron with screws	1 / 48	355	7,00
328 P	KVS 160 S-P	plastic	1 / 48	355	1,70
328 Pz	KVS 160 S-P+z	plastic with screws	1 / 48	355	1,70



With a cast-iron grid



With a plastic grid