

BOTTOM STREET DRAIN D 110 – STANDARD
BOTTOM STREET DRAIN D 125 – STANDARD

The product is designed for draining storm water (surface) water to exterior sewage lines, allowing for rain pipe installations. It includes a dry anti-odour flap, which blocks the odour spreading from the sewage pipeline. The eccentric cover in the STANDARD model allows for cut-outs as needed, with diameters 75, 80, 90, 100, 110 or 125 mm. Made of UV-stabilized polypropylene. Loading capacity K3 – 300 kg, resistance to 90 °C, standard EN 1253 – 1.

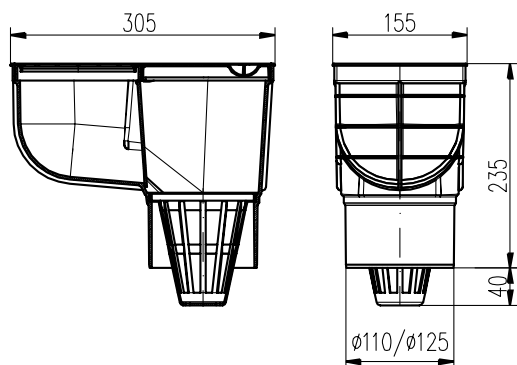
Part No.	Name	Packaging/Pallet [pcs]	Flow rate [l / min]	Weight [kg / pcs]	Colour
325 E	KV 110 ST	5 / 120	390	1,05	■
325 E s	KV 110 ST-s	5 / 120	390	1,05	■
325 F	KV 125 ST	5 / 120	530	1,05	■
325 F s	KV 125 ST-s	5 / 120	530	1,05	■



gray

BOTTOM STREET DRAIN D 110
BOTTOM STREET DRAIN D 125

The product is designed for draining storm water (surface) water to exterior sewage lines, allowing for rain pipe installations. It includes a dry anti-odour flap, which blocks the odour spreading from the sewage pipeline. The set is supplied including reduction rings 75/80, 90, 100, 110, 125 and inlet grid. Made of UV-stabilized polypropylene. Loading capacity K3 – 300 kg, resistance to 90 °C, standard EN 1253 -1.



Part No.	Name	Packaging/Pallet [pcs]	Flow rate [l / min]	Weight [kg / pcs]	Colour
325 A	KV 110	5 / 120	390	1,20	■
325 A s	KV 110-s	5 / 120	390	1,20	■
325 B	KV 125	5 / 120	530	1,20	■
325 B s	KV 125-s	5 / 120	530	1,20	■



gray