



PLASTIC

327 S-P



STAINLESS STEEL

327 S-N



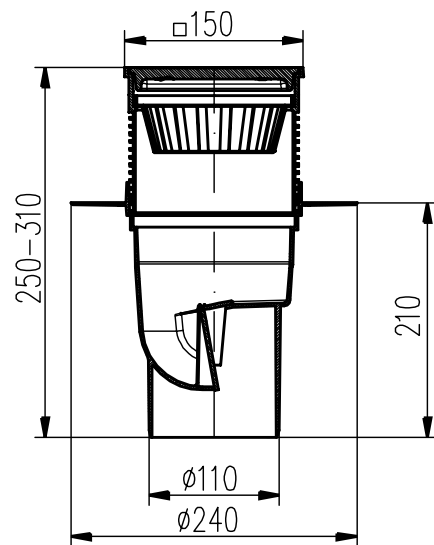
CAST-IRON

327 S-Li

BOTTOM STREET DRAIN D 110 WITH A PLASTIC/STAINLESS STEEL/CAST-IRON GRID

The product series 327 S include a dry anti-odour flap. They are designed for exterior and interior installations and provided with a collar to connect waterproof membrane to the street drain body. You can cut the collar off easily. Made of UV-stabilised polypropylene, stainless steel DIN 1.4301 and grey cast-iron DIN 1691. Loading capacity K3 – 300 kg and L15-1500 kg, thermal resistance 90 °C, standard EN 1253 – 1.

Part No.	Name	Type of grid	Packaging/Pallet [pcs]	Flow rate [l / min]	Weight [kg / pcs]
327 S-P	KVS 110 S-P	plastic	4 / 56	185	1,13
327 S-N	KVS 110 S-N	stainless steel	4 / 56	180	1,25
327 S-Li	KVS 110 S-Li	cast iron	4 / 56	190	2,16



With a dry flap



can be ordered with waterproofing membrane 391/3