



324 S ■ 324 V



324 S-N ■ 324 V-N

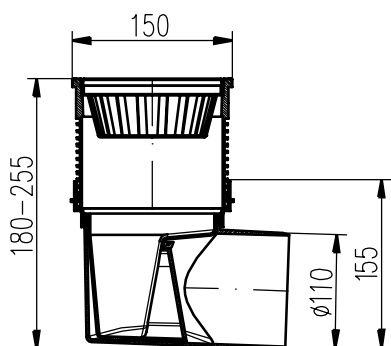


324 S-Li ■ 324 V-Li

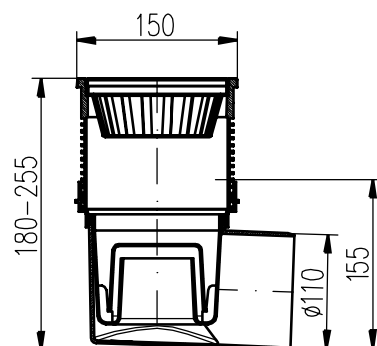
SIDE STREET DRAIN D 110 WITH A PLASTIC/STAINLESS STEEL/CAST-IRON GRID

Products **324 S**, **324 S-N** and **324 S-Li** include a dry anti-odour flap. They are designed for exterior installations.
 Products **324 V**, **324 V-N** and **324 V-Li** include water anti-odour protection. They are designed for interior installations.
 Made of UV-stabilised polypropylene, stainless steel DIN 1.4301 and grey cast-iron DIN 1691.
 Loading capacity K3 – 300 kg and L15 – 1500 kg, resistance to 90 °C, standard EN 1253 – 1.

Part No.	Name	Type of grid	Packaging/Pallet [pcs]	Flow rate [l / min]	Weight [kg / pcs]
324 S	KVB 110 S	plastic	6 / 144	130	0,98
324 V	KVB 110 V	plastic	6 / 144	105	0,98
324 S-N	KVB 110 S-N	stainless steel	6 / 144	130	1,11
324 V-N	KVB 110 V-N	stainless steel	6 / 144	95	1,11
324 S-Li	KVB 110 S-Li	cast iron	6 / 144	145	2,01
324 V-Li	KVB 110 V-Li	cast iron	6 / 144	110	2,01



Option with a dry flap



Option with a water anti-odour protection

