



329 Sz ■ 329 Vz

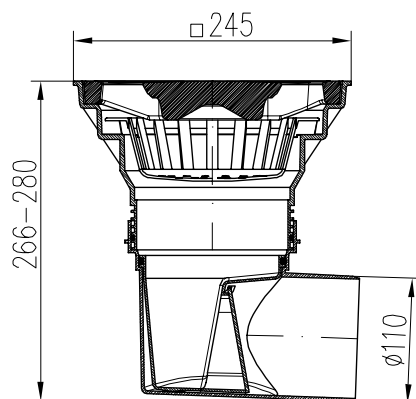


330 S ■ 330 V

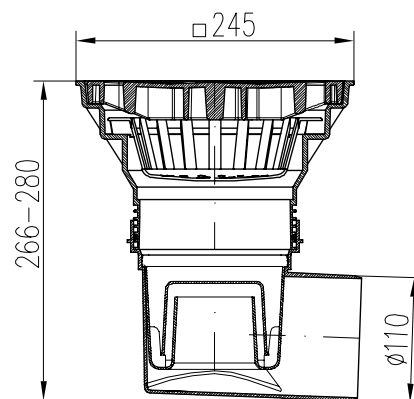
SIDE STREET DRAIN D 110 – 250 WITH A CAST-IRON / PLASTIC GRID

Side street drain D 110 are made in eight different models all with dry flap or water anti-odour protection. Products **329 S** and **329 V** with a robus cast iron grid, **329 Sz** and **329 Vz** with a robus cast iron grid and with two stainless steel screws A2, 6,3 x 38 mm to lock the grid. Product **328 P** with plastic grid and **328 Pz** with plastic grid and with two stainless steel screws A2, 6,3 x 38 mm to lock the grid. These products are designed for exterior or interior installations for pipeline D 110 mm. They are made of UV-stabilized polypropylene, grid is from cast iron DIN1691, loading capacity compliant to EN124, B 125 (12.500kg) and plastic grid if made of PP compliant to EN 1253-2-L 15 (1.500kg) with thermal resistance 90°C.

Part No.	Name	Type of grid	Packaging/Pallet [pcs]	Flow rate [l / min]	Weight [kg / pcs]
329 S	KVB 110/250 S-Li	cast-iron	1 / 48	355	7,00
329 V	KVB 110/250 V-Li	cast-iron	1 / 48	125	7,00
329 Sz	KVB 110/250 S-Li+z	cast-iron with screws	1 / 48	355	7,00
329 Vz	KVB 110/250 V-Li+z	cast-iron with screws	1 / 48	125	7,00
330 S	KVB 110/250 S-P	plastic	1 / 48	355	1,70
330 V	KVB 110/250 V-P	plastic	1 / 48	125	1,70
330 Sz	KVB 110/250 S-P+z	plastic with screws	1 / 48	355	1,70
330 Vz	KVB 110/250 V-P+z	plastic with screws	1 / 48	125	1,70



Model with a dry flap and a cast-iron grid



Model with a water anti-odour protection and a plastic grid